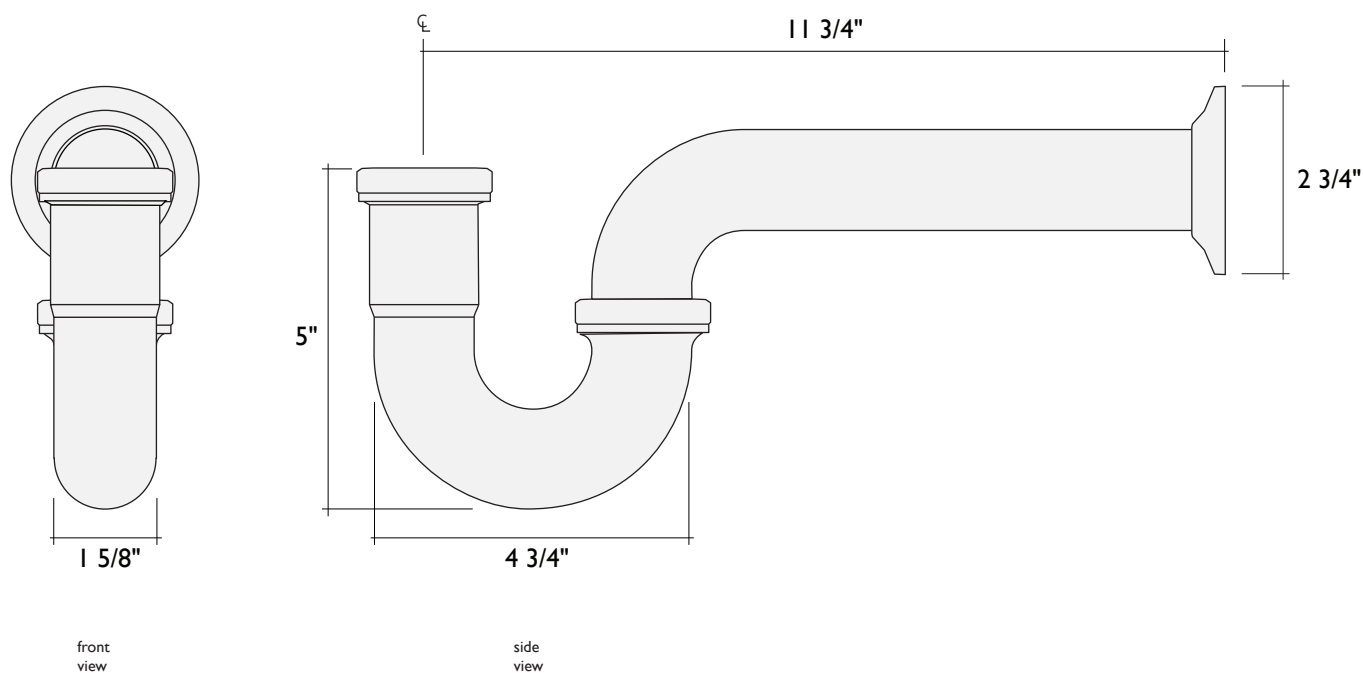




SPECIFICATIONS: P-TRAPS (AMERICAN):

P-TRAP



ITEM NUMBERS:



- | | |
|-----------|-------------------|
| AB6686.01 | Raw |
| AB6686.11 | Polished Chrome |
| AB6686.12 | Satin Chrome |
| AB6686.21 | Polished Brass |
| AB6686.22 | Satin Brass |
| AB6686.23 | Antique Brass |
| AB6686.31 | Polished Nickel |
| AB6686.32 | Satin Nickel |
| AB6686.33 | Antique Nickel |
| AB6686.43 | Antique Copper |
| AB6686.51 | Polished Gold |
| AB6686.52 | Satin Gold |
| AB6686.64 | Oil-Rubbed Bronze |
| AB6686.65 | Verde |

NOTES: P-Traps are 1-1/2" ID at the input and output, however a bushing allows a watertight seal with the 1-1/4" diameter tailpieces of Alchemy's drain assemblies. P-Traps include the brass P-section, brass return tube, 2 nylon bushings, 2 brass nuts and brass wall flange. All Brass parts are plated to desired finish (unless ordered in raw finish). A deeper bell flange is available as an option. P-Traps are also available in a 1-1/4" x 1-1/4" configuration for UK plumbing standards.

ALCHEMY
GLASS & LIGHT
www.alchemyglass.com