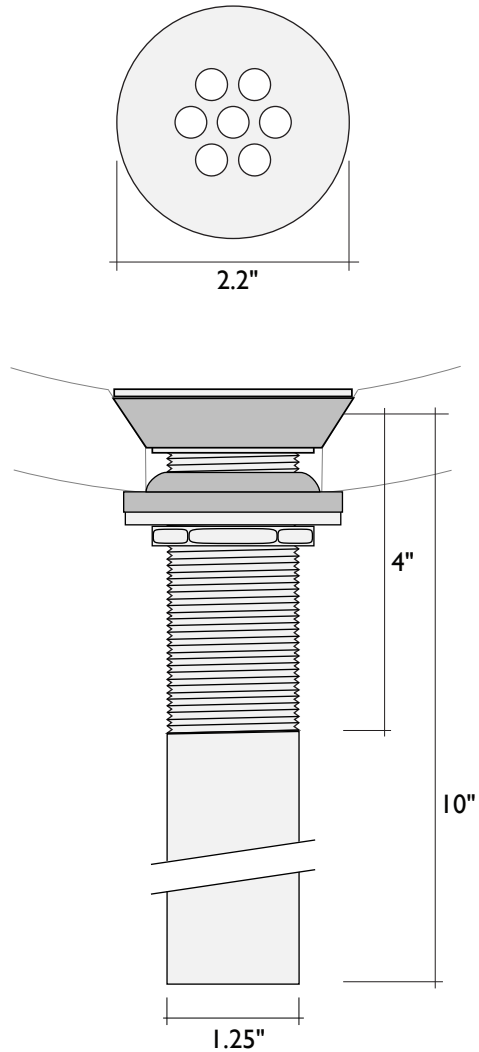


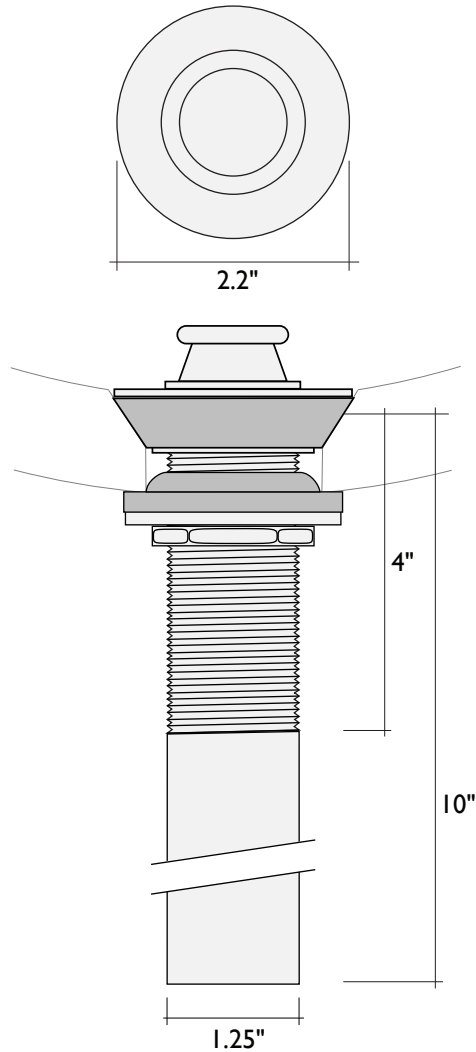


SPECIFICATIONS: DRAIN ASSEMBLIES:

STRAINER DRAIN

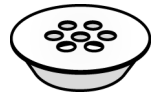


LIFT 'N TURN DRAIN



ITEM NUMBERS:

Strainer
Drain Assembly



- AB6181.01 Raw
- AB6181.11 Polished Chrome
- AB6181.12 Satin Chrome
- AB6181.21 Polished Brass
- AB6181.22 Satin Brass
- AB6181.23 Antique Brass
- AB6181.31 Polished Nickel
- AB6181.32 Satin Nickel
- AB6181.33 Antique Nickel
- AB6181.43 Antique Copper
- AB6181.51 Polished Gold
- AB6181.52 Satin Gold
- AB6181.64 Oil-Rubbed Bronze
- AB6181.65 Verde

Lift 'n Turn
Drain Assembly



- AB6281.01 Raw
- AB6281.11 Polished Chrome
- AB6281.12 Satin Chrome
- AB6281.21 Polished Brass
- AB6281.22 Satin Brass
- AB6281.23 Antique Brass
- AB6281.31 Polished Nickel
- AB6281.32 Satin Nickel
- AB6281.33 Antique Nickel
- AB6281.43 Antique Copper
- AB6281.51 Polished Gold
- AB6281.52 Satin Gold
- AB6281.64 Oil-Rubbed Bronze
- AB6281.65 Verde

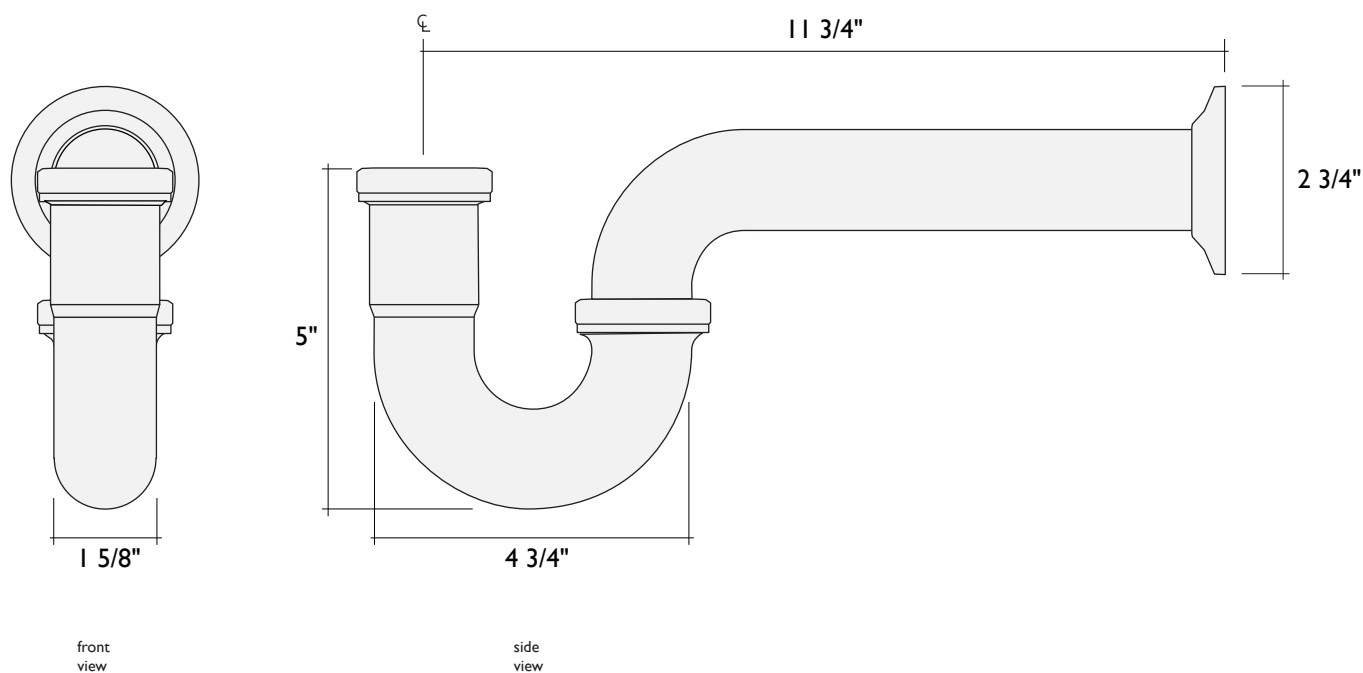
NOTES: Drain Assemblies are machined from solid brass and include the following parts: Brass drain Cap, Rubber drain gasket, Rubber drain washer, Brass flat washer, Brass nut, 10" long Brass tailpiece with 4" thread. All brass parts are plated to match the drain cap finish unless specifically requested otherwise. Not for use with sinks that have overflows (there is no side outlet in tailpiece). For additional information, see Drain Installation Instructions. Longer tailpieces and/or longer threaded sections can be custom ordered.

ALCHEMY
GLASS & LIGHT
www.alchemyglass.com



SPECIFICATIONS: P-TRAPS (AMERICAN):

P-TRAP



ITEM NUMBERS:



- | | |
|-----------|-------------------|
| AB6686.01 | Raw |
| AB6686.11 | Polished Chrome |
| AB6686.12 | Satin Chrome |
| AB6686.21 | Polished Brass |
| AB6686.22 | Satin Brass |
| AB6686.23 | Antique Brass |
| AB6686.31 | Polished Nickel |
| AB6686.32 | Satin Nickel |
| AB6686.33 | Antique Nickel |
| AB6686.43 | Antique Copper |
| AB6686.51 | Polished Gold |
| AB6686.52 | Satin Gold |
| AB6686.64 | Oil-Rubbed Bronze |
| AB6686.65 | Verde |

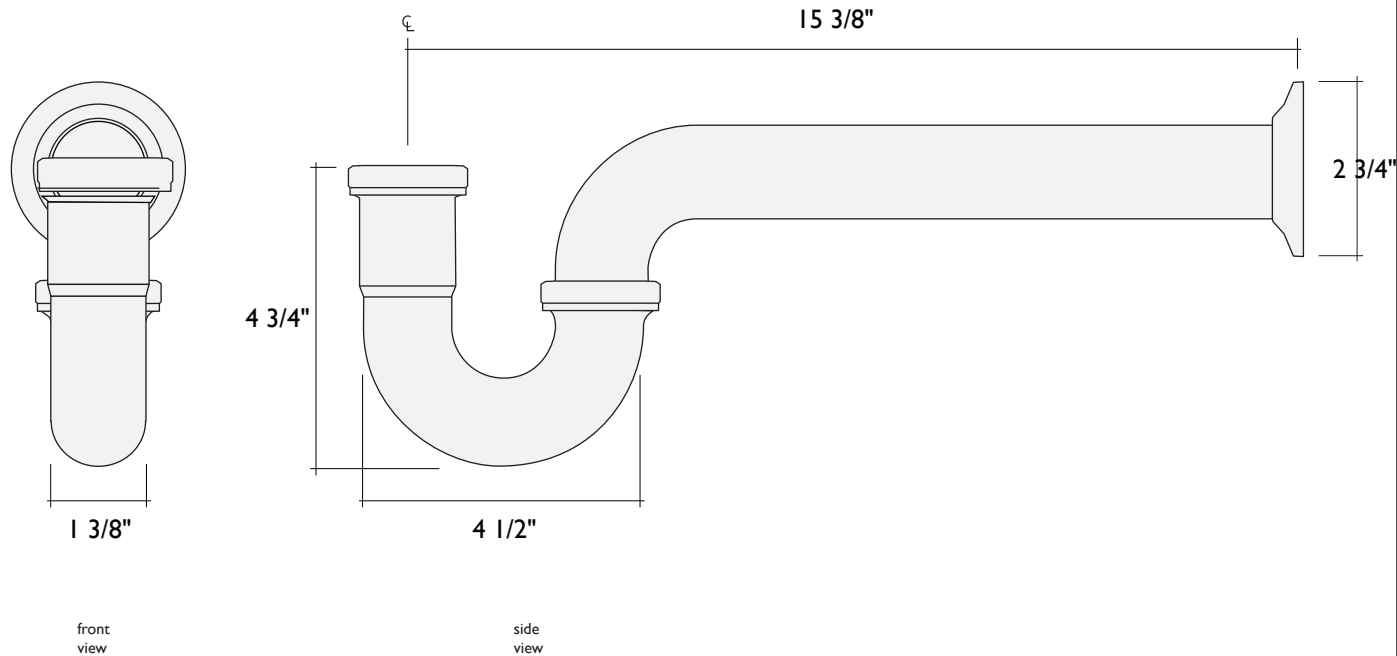
NOTES: P-Traps are 1-1/2" ID at the input and output, however a bushing allows a watertight seal with the 1-1/4" diameter tailpieces of Alchemy's drain assemblies. P-Traps include the brass P-section, brass return tube, 2 nylon bushings, 2 brass nuts and brass wall flange. All Brass parts are plated to desired finish (unless ordered in raw finish). A deeper bell flange is available as an option. P-Traps are also available in a 1-1/4" x 1-1/4" configuration for UK plumbing standards.

ALCHEMY
GLASS & LIGHT
www.alchemyglass.com



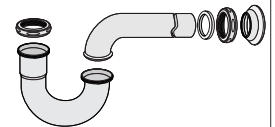
SPECIFICATIONS: P-TRAPS (UK):

UK P-TRAP



ITEM NUMBERS:

UK
Plated
P-Traps



- AB6687.01 Raw
- AB6687.11 Polished Chrome
- AB6687.12 Satin Chrome
- AB6687.21 Polished Brass
- AB6687.22 Satin Brass
- AB6687.23 Antique Brass
- AB6687.31 Polished Nickel
- AB6687.32 Satin Nickel
- AB6687.33 Antique Nickel
- AB6687.43 Antique Copper
- AB6687.51 Polished Gold
- AB6687.52 Satin Gold
- AB6687.64 Oil-Rubbed Bronze
- AB6687.65 Verde

NOTES: P-Traps are 1-1/4" ID at the input and output. P-Traps include the brass P-section, brass return tube, 1 bushing, 2 brass nuts and brass wall flange. All Brass parts are plated to desired finish (unless ordered in raw finish). P-Traps are also available in a 1-1/2" x 1-1/2" configuration for US plumbing standards.

ALCHEMY
GLASS & LIGHT
www.alchemyglass.com