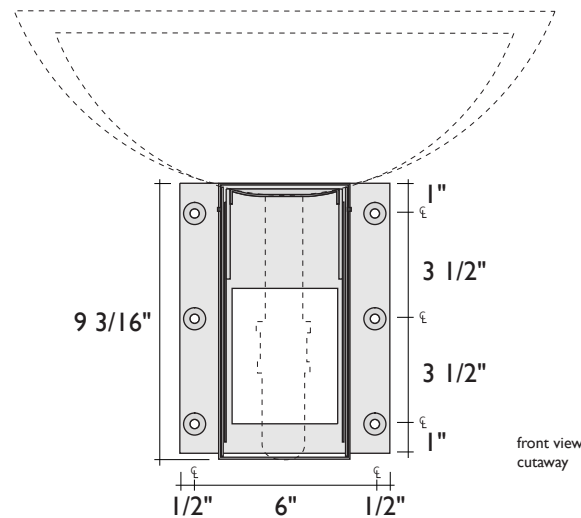
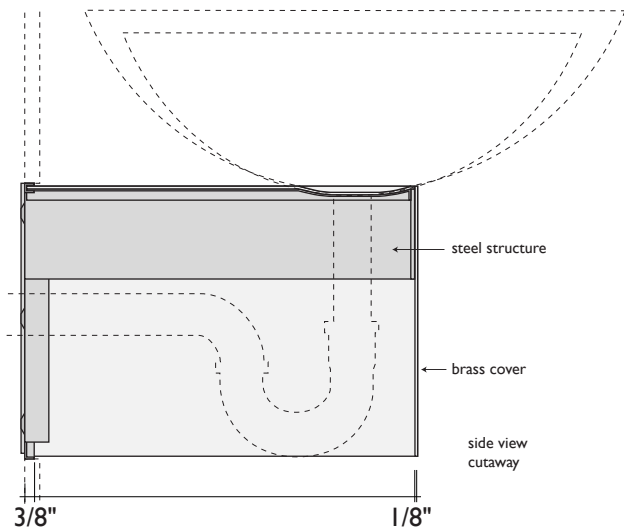
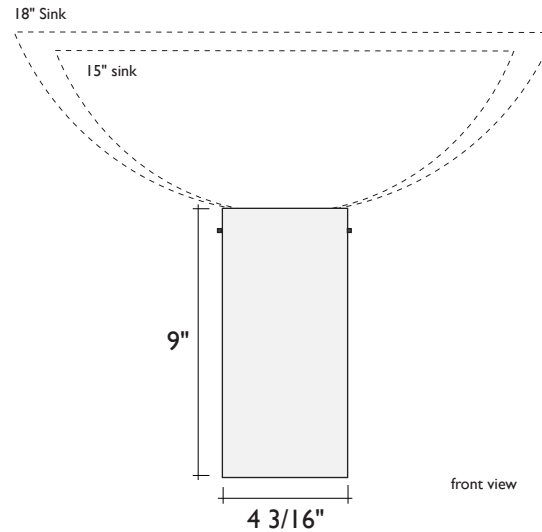
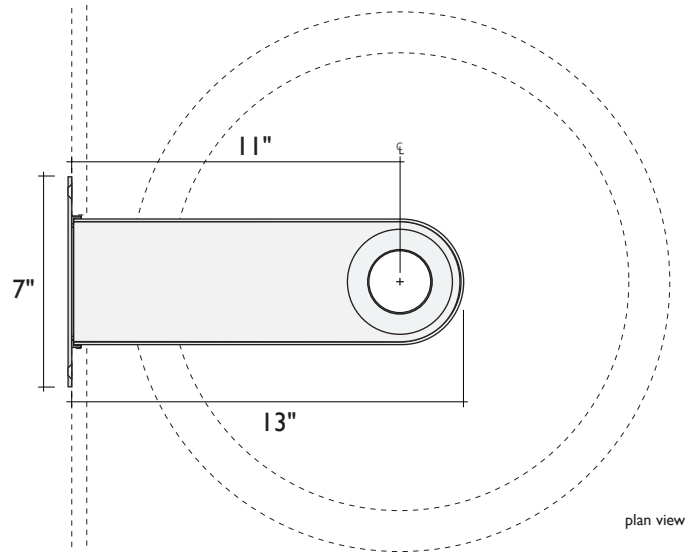
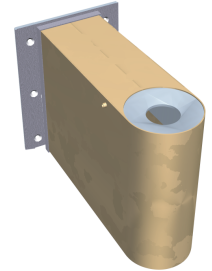




# SPECIFICATIONS: WALL-MOUNT ASSEMBLY:



# ITEM NUMBERS:



Wall-Mount Assembly

- AB5101.01 Raw - Unfinished
- AB5101.11 Polished Chrome
- AB5101.12 Satin Chrome
- AB5101.21 Polished Brass
- AB5101.22 Satin Brass
- AB5101.23 Antique Brass
- AB5101.31 Polished Nickel
- AB5101.32 Satin Nickel
- AB5101.33 Antique Nickel
- AB5101.43 Antique Copper
- AB5101.51 Polished Gold
- AB5101.52 Satin Gold
- AB5101.64 Oil-Rubbed Bronze
- AB5101.65 Verde

The Wall-Mount Assembly supports both above-counter sink sizes (standard=18" dia., small=15 3/8" dia.).

**NOTES:** The main component of the Wall-Mount Assembly is a welded steel structure that bolts to the wall behind drywall and/or tile with six (6) lag screws (supplied). A curved brass front shield and top cover (available in a wide range of plated finishes to match other plumbing fixtures) is secured to the structure with plated setscrews. Please see the "Wall-Mount Assembly Installation Instructions for more information.

ALCHEMY  
GLASS & LIGHT  
[www.alchemyglass.com](http://www.alchemyglass.com)